

# Z ZAHNTIUM

CONICAL CONNECTION IMPLANT



## Modern Medical Equipment LLC

Founded in 2006, Headquartered in Dubai. U.A E, **ZAHNTIUM** is showing the dental implant industry how a strong business model can service customers effectively and economically.

**ZAHNTIUM** is a full line top quality, compatible dental implants and accessories at a reasonable cost. we supply Dental Clinics, Doctors, Hospitals and laboratories with every type of specialized dental equipment for endodontics, implantology, Bone and membrane, and dental kits. we built a well-known, impeccable reputation in the community. Our management has many years of experience in the field of dental implants.

At **ZAHNTIUM** we are not only the most competitively priced, service-oriented supply company in the nation; we are now the best full-line compatible dental implants and accessories supply company. We are located in Dubai but serve customers across the country of United Arab Emirates and beyond.

Two key differences between **ZAHNTIUM** and most other distributors are our broad product offering and our supply base. We are very proud to represent the leaders in dental implant manufacturing, and we work closely with our suppliers to make sure that we continue to meet the needs of our customers.

True to our entrepreneurial spirit, we continue to seek new solutions and products that meet the new demands of the sector. Therefore, we entered into an agreement with ALPHA DENT IMPLANTS GMBH ia German manufacturer for the exclusive production and manufacture of **ZAHNTIUM** made of premium high-strength materials of high quality and bio compatible. as our motto goes "where quality meets service", our promise to our customers is to continue improvement and sourcing out the best quality products available, at reasonable cost combined with the best service that goes beyond the sale.



# TESTED BENEFITS



- 1 Platform Switching**
  - Switching Platform
  - Narrow connection of the implant prevents compression in cortical layer
- 2 Micro thread**
  - Micro threads for better contact with a cortical plate
- 3 Intermediate thread**
  - Bone thread on the corticospongoid level
- 4 Active thread**
  - Has multiple levels of height, which allows enlarging the surface of the implant
  - Allows achieving reliable initial stability in soft bone
- 5 Antirotational sulcus**
- 6 3D Active surface**
  - Unique active and hydrophilic surface of a new generation
- 7 Apical part**
  - Curving in apical part prevents the damage of Sinus

# AVAILABLE DIAMETERS AND LENGTHS PLATFORM 3.0

3.3



3.75



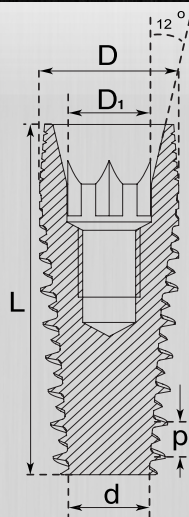
4.2






5.0

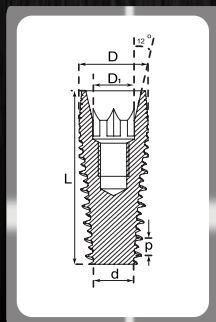


6.0




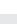
implant has a platform with an inner cone and a hexagon for positioning. This type of platform allows creating a conical connection with suprastructures. This connection is more stable and airtight. 3.25 mm diameter implants are installed in front and lateral parts (canine teeth, incisors, premolar teeth).


Ø Size (mm)	Length (mm)	Ref. Titansure	
3.3	8	ZI 3308	
	10	ZI 3310	
	11.5	ZI 33115	
	13	ZI 3313	
3.75	6	ZI 37506	
	8	ZI 37508	
	10	ZI 37510	
	11.5	ZI 375115	
	13	ZI 37513	
4.2	6	ZI 4206	
	8	ZI 4208	
	10	ZI 4210	
	11.5	ZI 42115	
	13	ZI 4213	
5.0	6	ZI 5006	
	8	ZI 5008	
	10	ZI 5010	
	11.5	ZI 50115	
	13	ZI 50115	
6.0	6	ZI 6006	
	8	ZI 6008	
	10	ZI 6010	
	11.5	ZI 60115	
	13	ZI 6013	









Cover screw\*



Platf.	Length (L)	Reference
	4.70	GLYRT

Anodised 

\*Screw included with each implant.

Metric



## Table of sequential use of conical diamond like coated (DLC) drills for implant Zahntium

Drill diameter, m m	1.5	2.0	2.8	3.0	3.45	3.9	4.7	6.0
rate, RPM	D1 800-1200 D2 800-1200 D3 800-1000 D4 800-1000	D1 800-1000 D2 800-1000 D3 700-900 D4 600-800	D1 600-800 D2 600-800 D3 500-600 D4 400-500	D1 500-700 D2 600-800 D3 500-600 D4 400-500	D1 500-700 D2 600-800 D3 500-600 D4 400-500	D1 400-600 D2 500-700 D3 500-600 D4 400-500	D1 400-600 D2 400-700 D3 500-600 D4 400-500	D1 400-600 D2 400-700 D3 500-600 D4 400-500

3.3



3.75



4.2



5.0



6.0

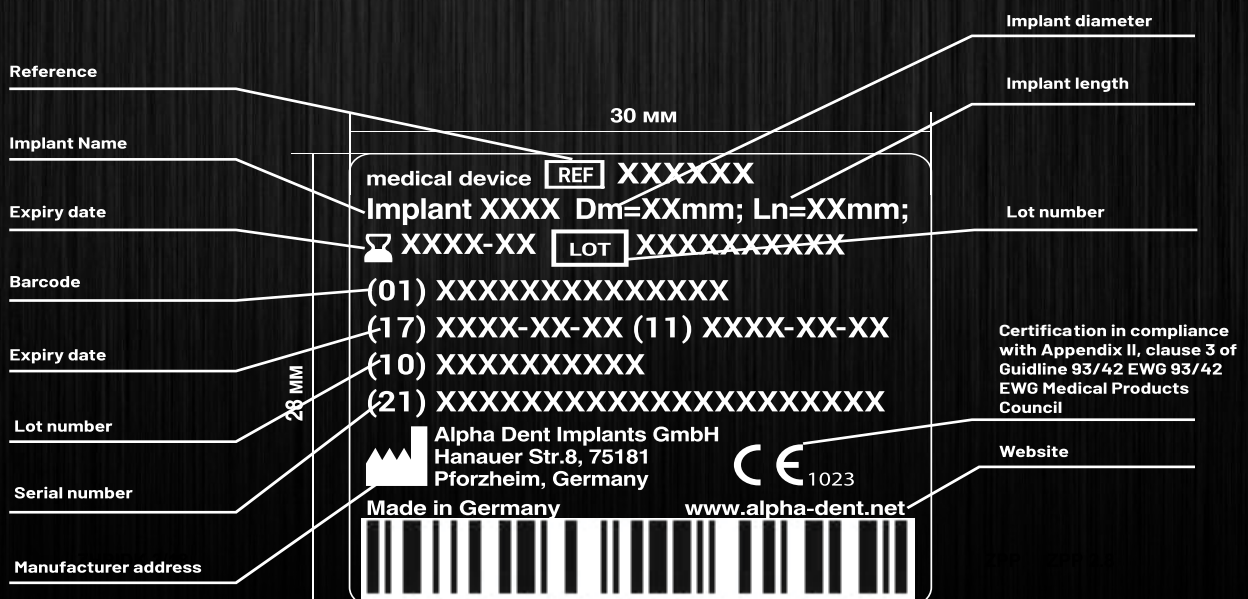


Diamond like coated drills in Implants system are developed with the aim to form bone cavity for implants Zahntium because the drill shape recreates perfectly the shape of the implant without thread.

# ZAHNTIUM IMPLANT



## CONVENTIONAL SIGNS





# TESTED BENEFITS



## 1 Platform Switching

- «Switching» of the platform

## 2 Inverted cone

- In upper part to reduce compression in cortical layer

## 3 Maximum preservation of cortical bone

- Important for esthetics and long-term prognosis

## 4 Implant body

- Marked tapered shape of the implant
- The shape of an implant matches completely the drill
  - Initial stability is guaranteed

## 5 Active thread

- Allows achieving reliable initial stability in soft bone

## 6 Antirotational sulcus

- Prevents unscrewing

## 7 Apical part

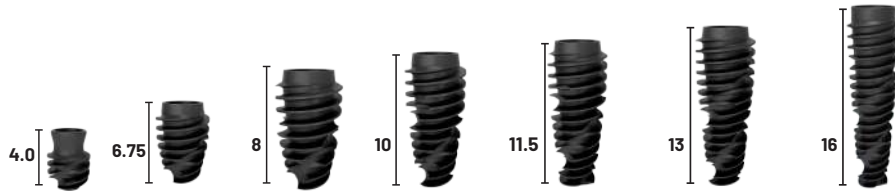
- Curving in apical part prevents the damage of Schneider's membrane

## AVAILABLE DIAMETERS AND LENGTHS PLATFORM 3.3

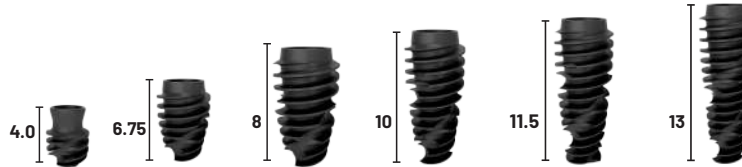
3.5



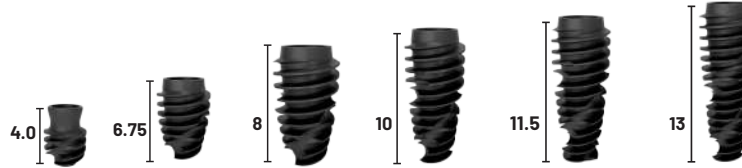
4.0



4.5



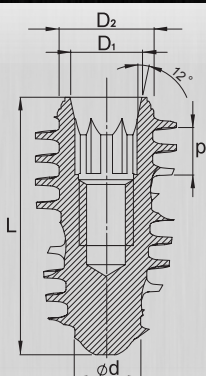
5.0



5.5



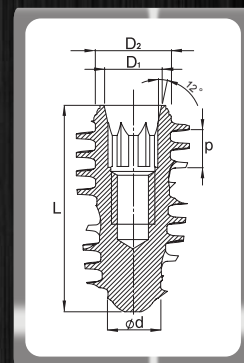
6.0



implant has a platform with an inner cone and a hexagon for positioning. This type of platform allows creating a conical connection with suprastructures. This connection is more stable and airtight. 3.25 mm diameter implants are installed in front and lateral parts (canine teeth, incisors, premolar teeth).

1- Length of the subcortical part of the implant is 4.0 mm.  
Full implant length is 6.2 mm.


Ø Size (mm)	Length (mm)	Reference	
3.5	8	ZISPA 3.5x8.0	
	10	ZISPA 3.5x10	
	11.5	ZISPA 3.5x11.5	
	13	ZISPA 3.5x13	
	16	ZISPA 3.5x16	
4.0	4.0	ZISPA 4.0x4.0	
	6.75	ZISPA 4.0x6.75	
	8	ZISPA 4.0x8.0	
	10	ZISPA 4.0x10	
	11.5	ZISPA 4.0x11.5	
	16	ZISPA 4.0x16	
4.5	4.0	ZISPA 4.5x4.0	
	6.75	ZISPA 4.5x6.75	
	8	ZISPA 4.5x8.0	
	10	ZISPA 4.5x10	
	11.5	ZISPA 4.5x11.5	
	13	ZISPA 4.5x13	
5.0	4.0	ZISPA 5.0x4.0	
	6.75	ZISPA 5.0x6.75	
	8	ZISPA 5.0x8.0	
	10	ZISPA 5.0x10	
	11.5	ZISPA 5.0x11.5	
5.5	4.0	ZISPA 5.5x4.0	
	6.75	ZISPA 5.5x6.75	
	8	ZISPA 5.5x8.0	
	10	ZISPA 5.5x10	
	11.5	ZISPA 5.5x11.5	
	13	ZISPA 5.5x13	
6.0	4.0	ZISPA 6.0x4.0	
	6.75	ZISPA 6.0x6.75	
	8	ZISPA 6.0x8.0	
	10	ZISPA 6.0x10	
	11.5	ZISPA 6.0x11.5	
	13	ZISPA 6.0x13	





Metric









Cover screw\*



Platf.	Length (L)	Reference
	4.70	GLYRT

Anodised 

\*Screw included with each implant.

1- Length of the subcortical part of the implant is 4.0 mm.  
Full implant length is 6.2 mm.

## Table of sequential use of conical diamond like coated (DLC) drills for implant Zahntium<sup>+</sup>

Drill diameter, mm	1.5	2.0	2.8	3.0	3.45	3.9	4.7	6.0
rate, RPM	<b>D1</b> 800-1200 <b>D2</b> 800-1200 <b>D3</b> 800-1000 <b>D4</b> 800-1000	<b>D1</b> 800-1000 <b>D2</b> 800-1000 <b>D3</b> 700-900 <b>D4</b> 600-800	<b>D1</b> 600-800 <b>D2</b> 600-800 <b>D3</b> 500-600 <b>D4</b> 400-500	<b>D1</b> 500-700 <b>D2</b> 600-800 <b>D3</b> 500-600 <b>D4</b> 400-500	<b>D1</b> 500-700 <b>D2</b> 600-800 <b>D3</b> 500-600 <b>D4</b> 400-500	<b>D1</b> 400-600 <b>D2</b> 500-700 <b>D3</b> 500-600 <b>D4</b> 400-500	<b>D1</b> 400-600 <b>D2</b> 400-700 <b>D3</b> 500-600 <b>D4</b> 400-500	<b>D1</b> 400-600 <b>D2</b> 400-700 <b>D3</b> 500-600 <b>D4</b> 400-500

### Implants 3.5mm – bone type I, II



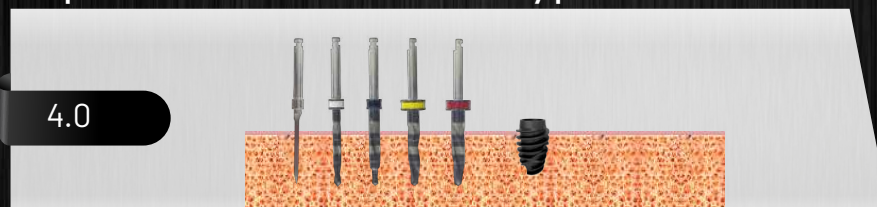
### Implants 3.5mm – bone type III, IV



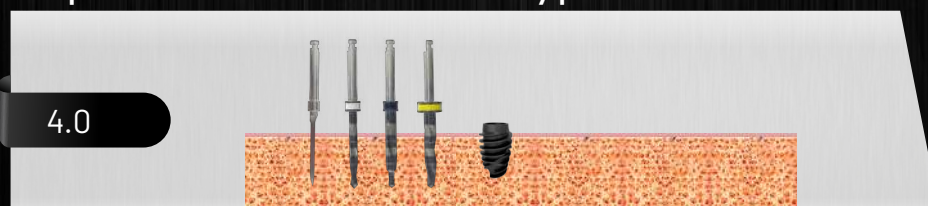
### Implants 4.0mm – bone type I, II



### Implants 4.0mm – bone type III



### Implants 4.0mm – bone type IV

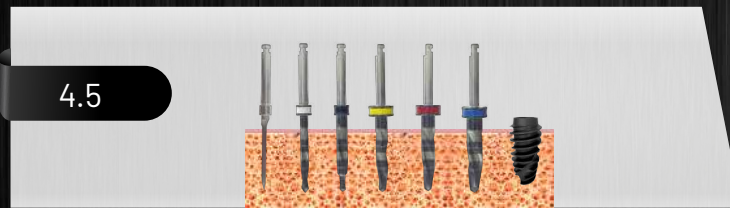


Diamond like coated drills in Implants system are developed with the aim to form bone cavity for implants Zahntium<sup>+</sup> because the drill shape recreates perfectly the shape of the implant without thread.

## Table of sequential use of conical diamond like coated (DLC) drills for implant Zahntium<sup>+</sup>

Drill diameter, mm	1.5	2.0	2.8	3.0	3.45	3.9	4.7	6.0	
rate, RPM	<b>D1</b> 800-1200 <b>D2</b> 800-1200 <b>D3</b> 800-1000 <b>D4</b> 800-1000	<b>D1</b> 800-1000 <b>D2</b> 800-1000 <b>D3</b> 700-900 <b>D4</b> 600-800	<b>D1</b> 600-800 <b>D2</b> 600-800 <b>D3</b> 500-600 <b>D4</b> 400-500	<b>D1</b> 500-700 <b>D2</b> 600-800 <b>D3</b> 500-600 <b>D4</b> 400-500	<b>D1</b> 500-700 <b>D2</b> 600-800 <b>D3</b> 500-600 <b>D4</b> 400-500	<b>D1</b> 400-600 <b>D2</b> 500-700 <b>D3</b> 500-600 <b>D4</b> 400-500	<b>D1</b> 400-600 <b>D2</b> 400-700 <b>D3</b> 500-600 <b>D4</b> 400-500	<b>D1</b> 400-600 <b>D2</b> 400-700 <b>D3</b> 500-600 <b>D4</b> 400-500	<b>D1</b> 400-600 <b>D2</b> 400-700 <b>D3</b> 500-600 <b>D4</b> 400-500

### Implants 4.5mm – bone type I, II



### Implants 4.5mm – bone type III, IV



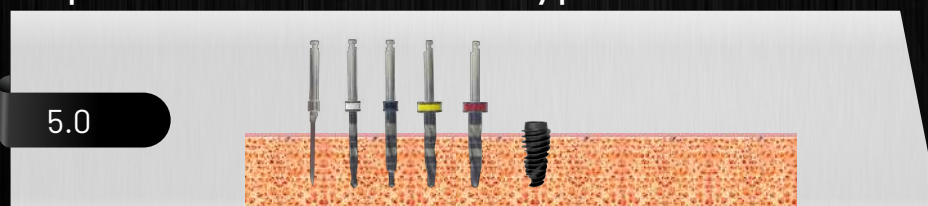
### Implants 5.0mm – bone type I, II



### Implants 5.0mm – bone type III



### Implants 5.0mm – bone type IV

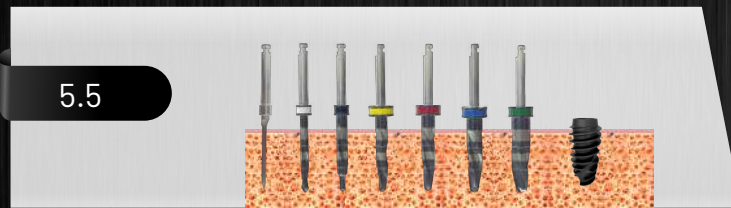


Diamond like coated drills in Implants system are developed with the aim to form bone cavity for implants Zahntium<sup>+</sup> because the drill shape recreates perfectly the shape of the implant without thread.

## Table of sequential use of conical diamond like coated (DLC) drills for implant Zahntium<sup>+</sup>

Drill diameter, mm	1.5	2.0	2.8	3.0	3.45	3.9	4.7	6.0	
rate, RPM	D1 800-1200 D2 800-1200 D3 800-1000 D4 800-1000	D1 800-1000 D2 800-1000 D3 700-900 D4 600-800	D1 600-800 D2 600-800 D3 500-600 D4 400-500	D1 500-700 D2 600-800 D3 500-600 D4 400-500	D1 500-700 D2 600-800 D3 500-600 D4 400-500	D1 400-600 D2 500-700 D3 500-600 D4 400-500	D1 400-600 D2 400-700 D3 500-600 D4 400-500	D1 400-600 D2 400-700 D3 500-600 D4 400-500	D1 400-600 D2 400-700 D3 500-600 D4 400-500

### Implants 5.5mm – bone type I, II, III



### Implants 5.5mm – bone type IV



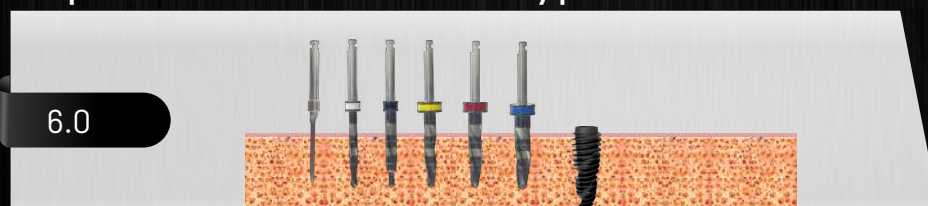
### Implants 6.0mm – bone type I, II



### Implants 6.0mm – bone type III



### Implants 6.0mm – bone type IV

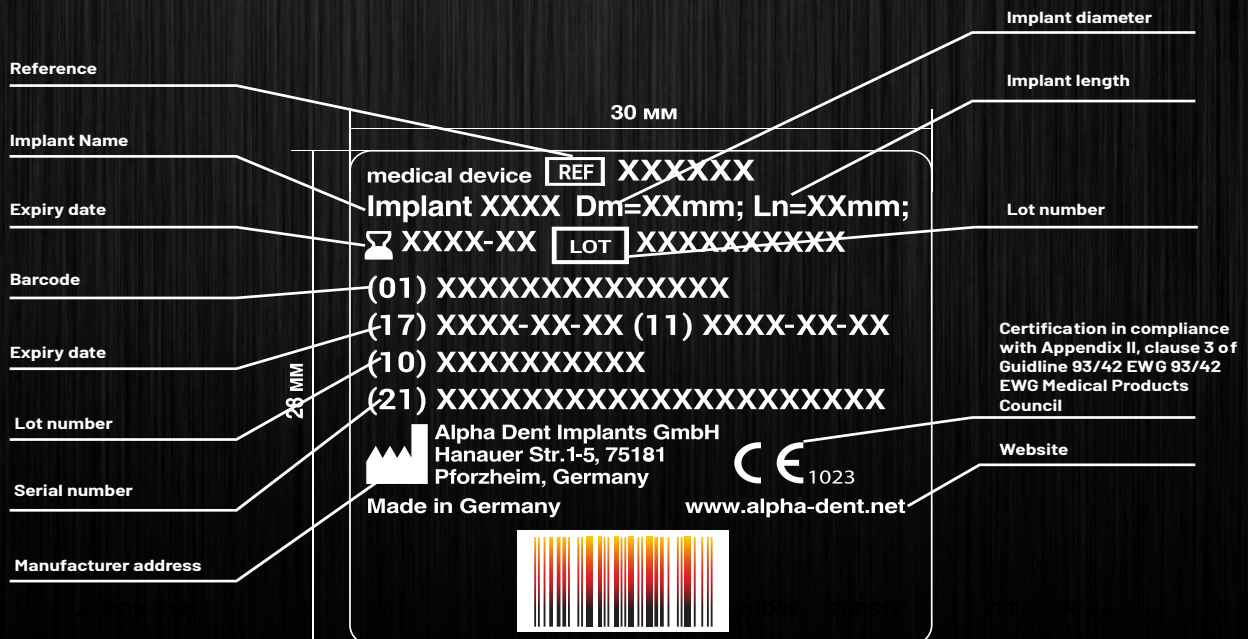


Diamond like coated drills in Implants system are developed with the aim to form bone cavity for implants Zahntium<sup>+</sup> because the drill shape recreates perfectly the shape of the implant without thread.

# ZAHNTIUM<sup>+</sup> IMPLANT



## CONVENTIONAL SIGNS

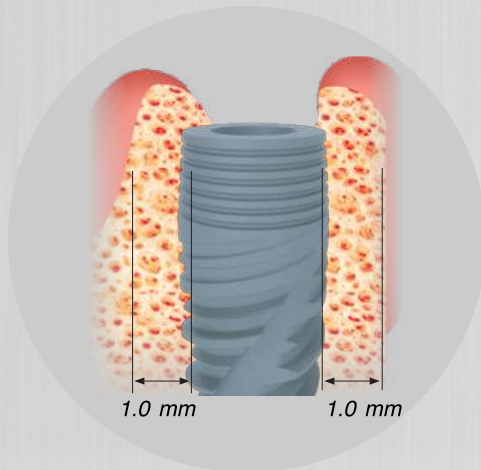


## STERILITY



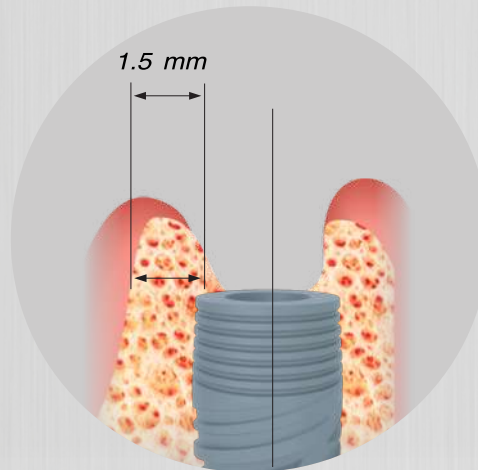
All production of ZAHNTIUM Implants is thoroughly sterilized. Double sterile packing ensures sterility maintenance. Due to a high technical level of production and the strictest control of sterility, ZAHNTIUM Implants meets the requirements of the highest quality standards, confirmed by appropriate certificates.

### Positioning of the implant in bone



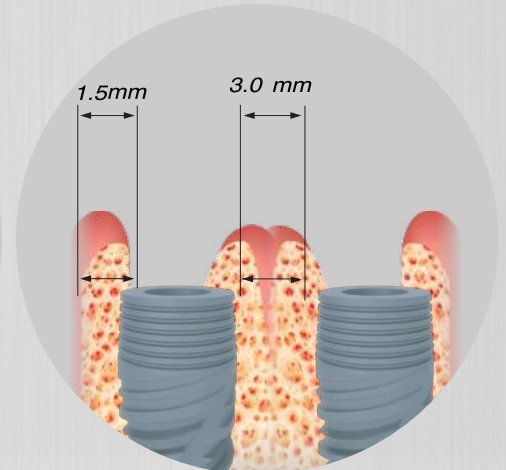
Bone depth on the side of cortical plate must be not less than 1 mm.

### Distance between the implant and tooth root



The distance between an implant and a tooth root must be minimum 1.5 mm, i.e. the distance from the implant site center to the next tooth must be about the  $\frac{1}{2}$  diameter of the implant's body + 1.5 mm.

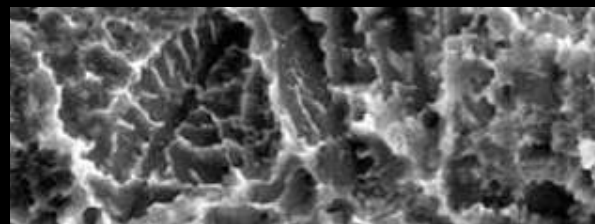
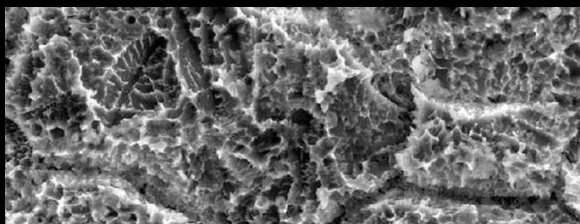
### Distance depends on diameter of implants installed



The distance between two implants must be a sum of  $\frac{1}{2}$  diameters of the body of the implants installed + 3 mm (distance between implants).

## SLA SURFACE

SLA surface represents the latest generation of dental implant surface treatment technology. This surface is active and hydrophilic; it has distinct multi-layered microporous structure. The Thickness of oxide layer of the implant surface reaches 10–12 microns. The entire thickness of the oxide layer is imbued with micro pores that combine with each other and create a multi-layered surface. This way, the bone tissue grows deeper both in and between micro pores. Thereby, implant surface area is significantly increased and, thus the contact between bone tissue and implant surface is strengthened. Titanium oxide film is enriched with calcium hydroxyapatite, and the implant surface is contaminant-free. It has prominent hydrophilic characteristics (absorption).


































Researches show that SLA surface stimulates active bone growth over the implant surface that results in mechanical stability. This surface property allows performing orthopedic rehabilitation at an earlier stage and significantly reduces the risk when the implant is installed under the one-stage procedure.

# ABUTMENTS

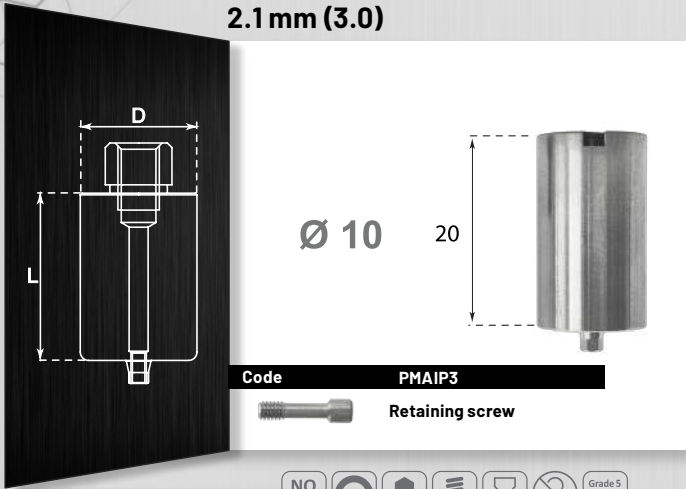
Direct-to-implant reconstructions



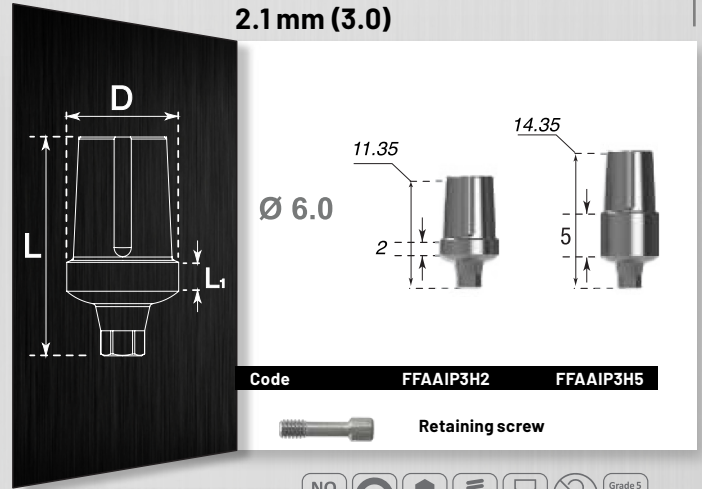
# SYMBOLOLOGY

 Rotatory element	 Tx30 connection	 Made from steel
 Non-rotatory element	 Size in millimetres	 Made from cobalt-chromium + castable plastic
 Use with manual torque	 45° screw support	 Made from cobalt-chromium
 Maximum operating torque	 90° screw support	 Made from PEEK
 Ratchet torque range	 Use in rotation with a CA	 Made from plastic
 Galaxy connection	 Maximum rotation speed	 Recommended sterilisation temperature
 Screw connection	 Maximum number of uses	 Unsterilised product
 Kirator connection	 Single-use product	 Use with abundant irrigation
 Nature connection	 Made from grade 5 ELI (extra-low interstitial) titanium	 Maximum angle
 Basic connection	 Made from grade 2 titanium	
 XDrive connection	 Made from stainless steel	

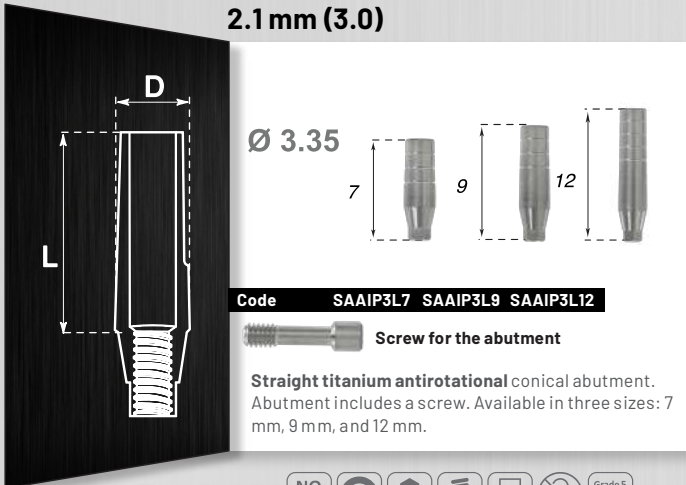
## NARROW CONICAL PLATFORM 2.1 mm (3.0)



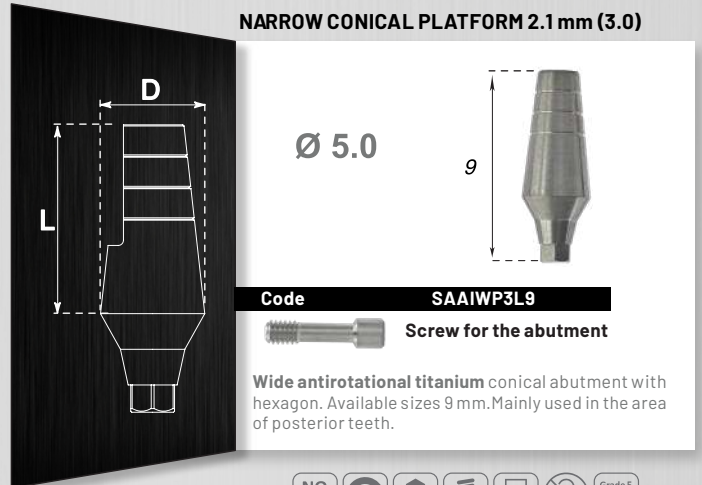
## NARROW CONICAL PLATFORM 2.1 mm (3.0)



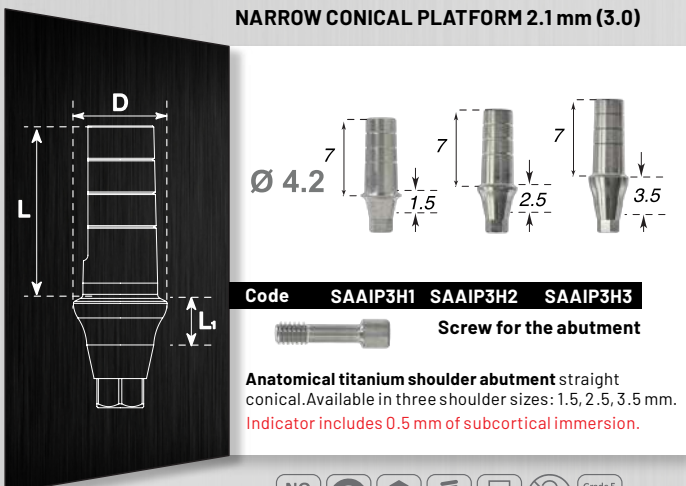
## NARROW CONICAL PLATFORM 2.1 mm (3.0)



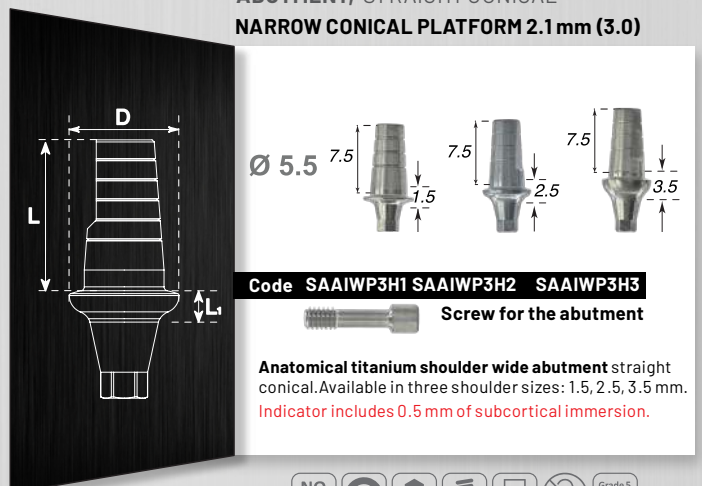
## TITANIUM ANTIROTATIONAL WIDE ABUTMENT, CONICAL NARROW CONICAL PLATFORM 2.1 mm (3.0)



## TITANIUM ANTIROTATIONAL WIDE ABUTMENT, STRAIGHT CONICAL NARROW CONICAL PLATFORM 2.1 mm (3.0)



## ANATOMICAL TITANIUM SHOULDER WIDE ABUTMENT, STRAIGHT CONICAL NARROW CONICAL PLATFORM 2.1 mm (3.0)



**ANATOMICAL ANGULAR TITANIUM ABUTMENT 15°, CONICAL**  
**NARROW CONICAL PLATFORM 2.1 mm (3.0)**

Code AAAIP3D15H1 AAAIP3D15H2 AAAIP3D15H3

Screw for the abutment

Angular anatomical titanium conical abutment 15° with shoulder 1.5-3.5 mm. It is used for aesthetic tasks solving in vestibular area, and replicating the shape of gingival line.

Indicator includes 0.5 mm of subcortical immersion.

NO ROT 30 Ncm 1,25mm M1,60 45° Grade 5 ELI Titanium

**ANTIROTATIONAL TITANIUM ANGULAR ABUTMENT 25°, CONICAL**  
**NARROW CONICAL PLATFORM 2.1 mm (3.0)**

Code AAAIP3D25

Retaining screw

NO ROT 30 Ncm 1,25mm M1,60 45° Grade 5 ELI Titanium

**ANATOMICAL ANGULAR TITANIUM ABUTMENT 25°, CONICAL WITH SHOULDER 2 mm**  
**NARROW CONICAL PLATFORM 2.1 mm (3.0)**

Code AAAIP3D25H1 AAAIP3D25H2 AAAIP3D25H3

Retaining screw

Indicator includes 0.5 mm of subcortical immersion.

NO ROT 30 Ncm 1,25mm M1,60 45° Grade 5 ELI Titanium

**ANGULAR ANTIROTATIONAL TITANIUM ABUTMENT 15°, CONICAL**  
**NARROW CONICAL PLATFORM 2.1 mm (3.0)**

Code AAAIP3D15

Screw for the abutment

Angular antirotational titanium conical abutment 15° without a shoulder. It is used in cases, when the implant is installed at an angle. This type of the abutment allows creating the aesthetically correct construction with less effort for technician and orthopedist.

NO ROT 30 Ncm 1,25mm M1,60 45° Grade 5 ELI Titanium

**BALL ATTACHMENT, CONICAL**  
**NARROW CONICAL PLATFORM 2.1 mm (3.0)**

D Ø 4.2

d Ø 2.5

Code BAAI P3 H2 BAAI P3 H3 BAAI P3 H4 BAAI P3 H5

Metal Cap Silicone Cap

ROT 30 Ncm 1,25mm M1,60 45° Grade 5 ELI Titanium

**LOCATORS, CONICAL**  
**NARROW CONICAL PLATFORM 2.1 mm (3.0)**

D Ø 1.25

d Ø 3.9

Code LAIP3H2 LAIP3H3 LAIP3H4 LAIP3H5 LAIP3H6

Metal Cap

ROT 30 Ncm Kirator M1,60 45° Grade 5 ELI Titanium

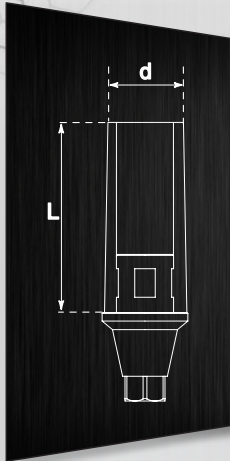
A structure with conical ball attachment is used for fixation of removable denture. A cap made of stainless steel can be included, as well as an intermediate silicone cap of three different degrees of hardness: soft, standard, and strong. Ball attachment set does not include caps. It can be purchased separately.



silicone caps


Plastic disc

TITANIUM-BASED PLASTIC BURNOUT ABUTMENT, CONICAL NARROW CONICAL PLATFORM 2.1 mm (3.0)









**Ø 4.5**

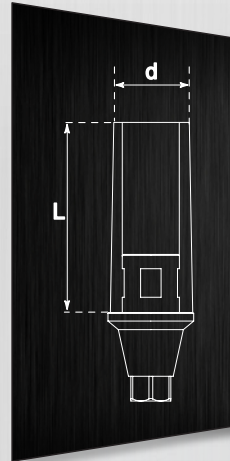
Code **PTAAI3L9**

 Retaining screw

Titanium-based plastic conical abutment is used with single implants.















PLASTIC BURNOUT ABUTMENT, CONICAL NARROW CONICAL PLATFORM 2.1 mm (3.0)



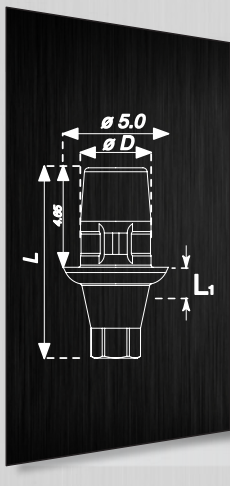
**Ø 4.2**

Code **PAAIP3NH**

 Retaining screw















TITANIUM BASE ZAHNTIUM FOR CEREC SIRONA NARROW CONICAL PLATFORM 2.1 mm (3.0)



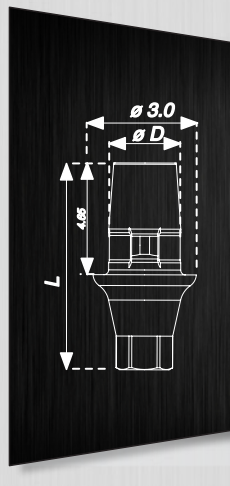
**Ø 3,4**

Code **TBCEAI**

 Retaining screw















TITANIUM BASE ZAHNTIUM FOR CEREC SIRONA NARROW CONICAL PLATFORM 2.1 mm (3.0)



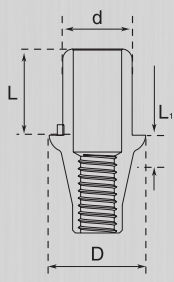
**Ø 1.5**

Code **TBCEAI-SC**

 Retaining screw


TITANIUM PLATFORM FOR CAD/CAM, CONICAL NARROW CONICAL PLATFORM 2.1 mm (3.0)









**D Ø 4.6**

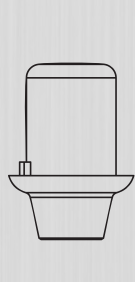
**d Ø 3.3**

Code **TBCAIP3-NH TBCAIP3H1-NH TBCAIP3H2-NH TBCAIP3H3-NH**

 Retaining screw


NARROW CONICAL PLATFORM 2.1 mm (3.0)









**D Ø 4.6**

**d Ø 3.3**

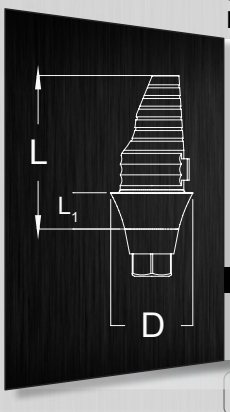
Code **TBCAIP3 TBCAIP3H1 TBCAIP3H2 TBCAIP3H3**

 Retaining screw


Indicator includes 0.5 mm of subcortical immersion.
















Zahntium Titanium Platform for CAD/CAM Angled W NARROW CONICAL PLATFORM 2.1 mm (3.0)

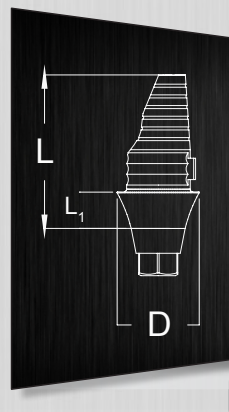


Code **ZTPBA**


 Retaining screw


















Zahntium Titanium Platform for CAD/CAM Angled S NARROW CONICAL PLATFORM 2.1 mm (3.0)



Code **ZTPSA**

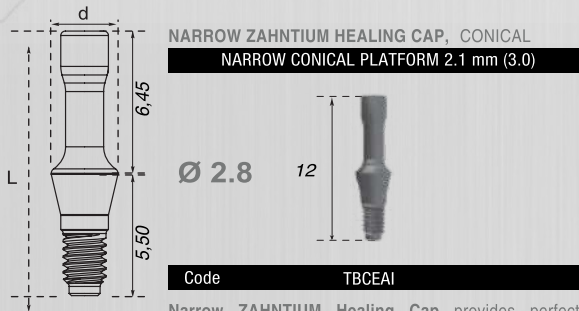
 Retaining screw

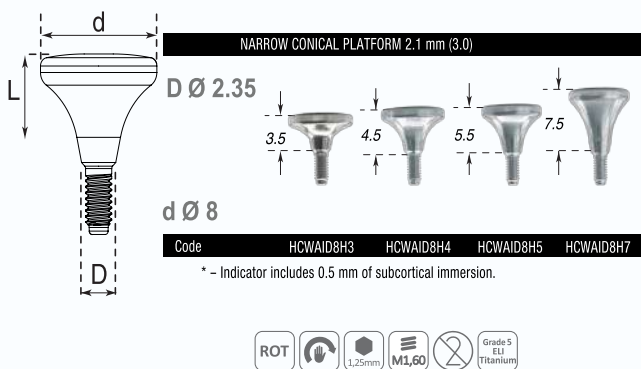
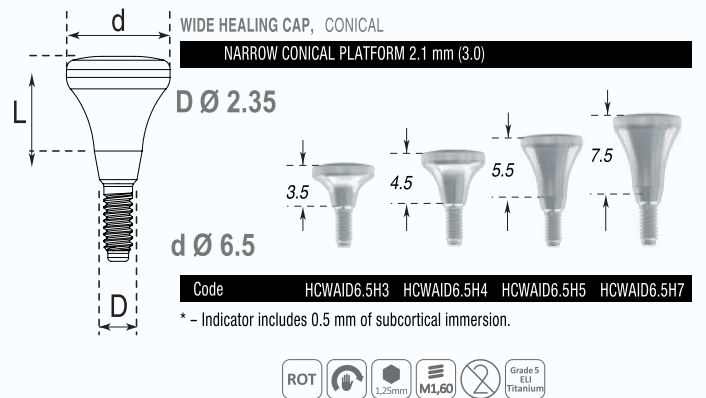
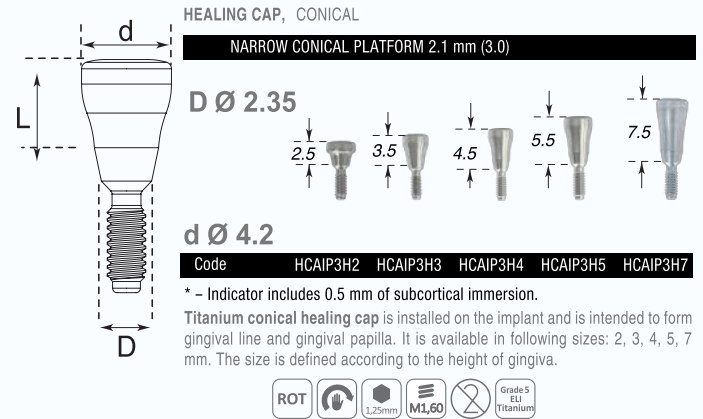
# HEALING CAPS FOR IMPLANTS



ZAHNTIUM  
ZAHNTIUM<sup>+</sup>



Narrow ZAHNTIUM Healing Cap provides perfect gingival margin. It fits for any following options of dental prosthesis.



# TRANSFERS AND ANALOGS FOR **IMPLANTS**



ZAHNTIUM  
ZAHNTIUM<sup>+</sup>

**DIGITAL ANALOG, CONICAL**  
NARROW CONICAL  
PLATFORM 2.1 mm (3.0)



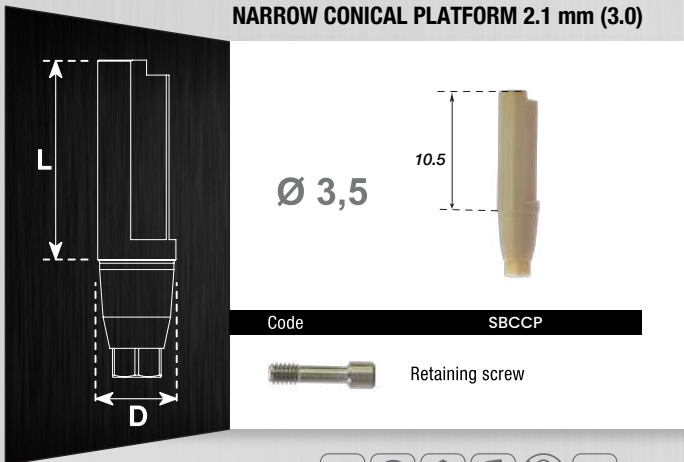
DAAIP3

**IMPLANT ANALOG ZAHNTIUM P3**  
NARROW CONICAL  
PLATFORM 2.1 mm (3.0)

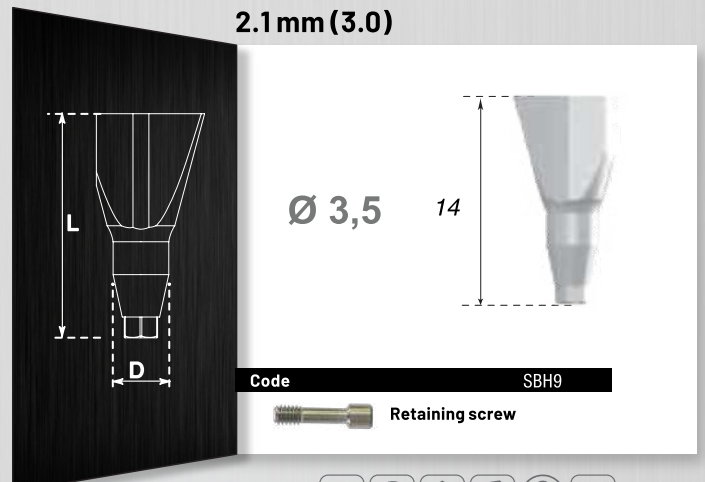


AAIP3

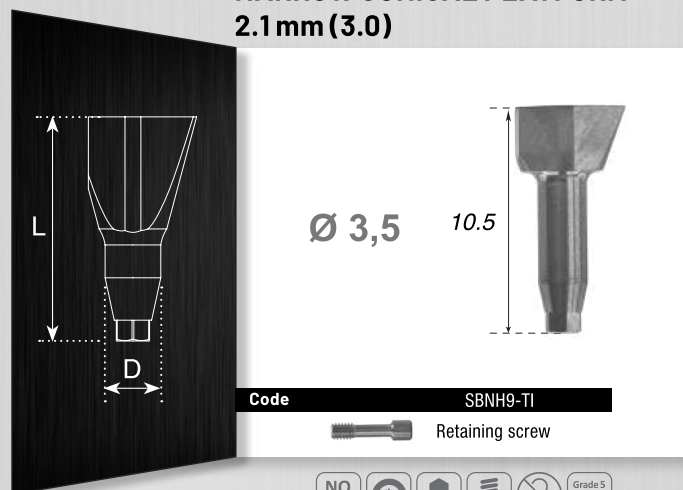
**SCAN BODY IMPLANT CAD/CAM PEEK**  
NARROW CONICAL PLATFORM 2.1 mm (3.0)



**SCAN-ABUTMENT, CONICAL**  
NARROW CONICAL PLATFORM  
2.1 mm (3.0)



**SCAN-ABUTMENT NARROW**  
NARROW CONICAL PLATFORM  
2.1 mm (3.0)



OPEN TRAY TRANSFER, CONICAL  
**NARROW CONICAL PLATFORM**  
 2.1 mm (3.0)

$\varnothing 5$  12.5 **NEW**

**Code** TOAIP3L13  
Retaining



OPEN TRAY TRANSFER, CONICAL  
**NARROW CONICAL PLATFORM**  
 2.1 mm (3.0)

$\varnothing 5$  17.85 **NEW**

**Code** TOAIP3L15  
Retaining



CLOSED TRAY TRANSFER, CONICAL  
**NARROW CONICAL PLATFORM**  
 2.1 mm (3.0)

$D \varnothing 3$  13.75  
 $d \varnothing 4.2$

**Code** TCAIP3L9  
Retaining

The length of conical closed tray transfer is 13.75 mm. It is used in closed tray impression coping.



CLOSED TRAY TRANSFER, CONICAL  
**NARROW CONICAL PLATFORM**  
 2.1 mm (3.0)

$D \varnothing 3$  13.75  
 $d \varnothing 4.2$

**Code** TCAIP3L13  
Retaining

The length of conical closed tray transfer is 13.75 mm. It is used in closed tray impression coping.



CLOSED TRAY TRANSFER, CONICAL  
**NARROW CONICAL PLATFORM**  
 2.1 mm (3.0)

$D \varnothing 3$  13.75  
 $d \varnothing 4.2$

**Code** TCAIP3L15  
Retaining

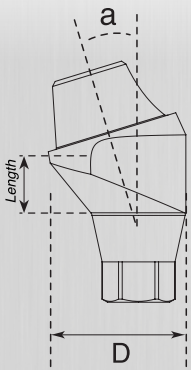
The length of conical closed tray transfer is 13.75 mm. It is used in closed tray impression coping.



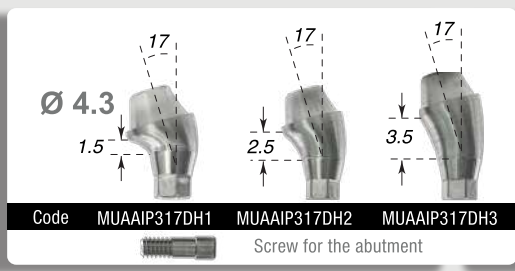
MULTI UNITS  
FOR  
**IMPLANTS**



ZAHNTIUM  
ZAHNTIUM<sup>+</sup>



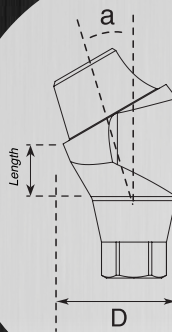
ONE-PIECE ANGULAR MULTI-UNIT 17°/30° CONICAL  
NARROW CONICAL PLATFORM 2.1 mm (3.0)



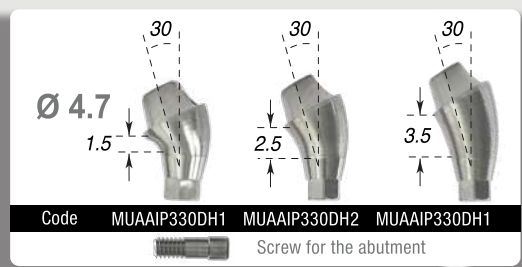
Indicator includes 0.5 mm of subcortical immersion.



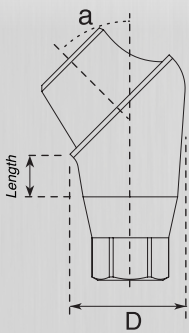
Multi-unit system is used for a prosthesis with screw retention. One-piece angular multi-unit allows rehabilitation at non-parallel implants by correcting the angle. Angular multi-unit is available in options 17° and 30° options



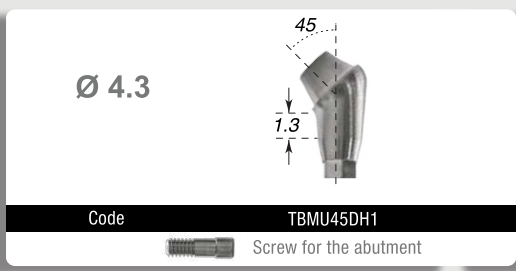
NARROW CONICAL PLATFORM 2.1 mm (3.0)



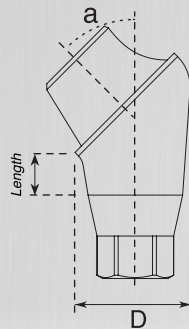
Indicator includes 0.5 mm of subcortical immersion.



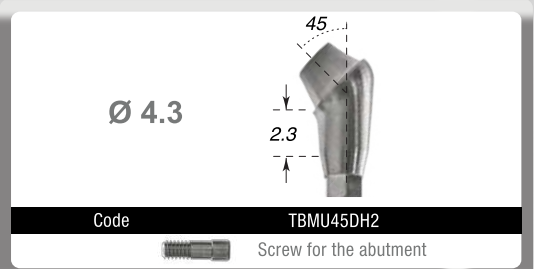
TITANIUM BASIS FOR MULTI-UNITS 45 DEG  
NARROW CONICAL PLATFORM 2.1 mm (3.0)



One-piece angular multi-unit 45° conical. Multi-unit system is used for a prosthesis with screw retention. One-piece angular multi-unit allows rehabilitation at non-parallel implants by correcting the angle. The new angular multi-unit is available in 45° option.



NARROW CONICAL PLATFORM 2.1 mm (3.0)



**AESTHETIC ABUTMENT  
(STRAIGHT MULTI-UNIT)  
NARROW CONICAL PLATFORM 2.1 mm (3.0)**

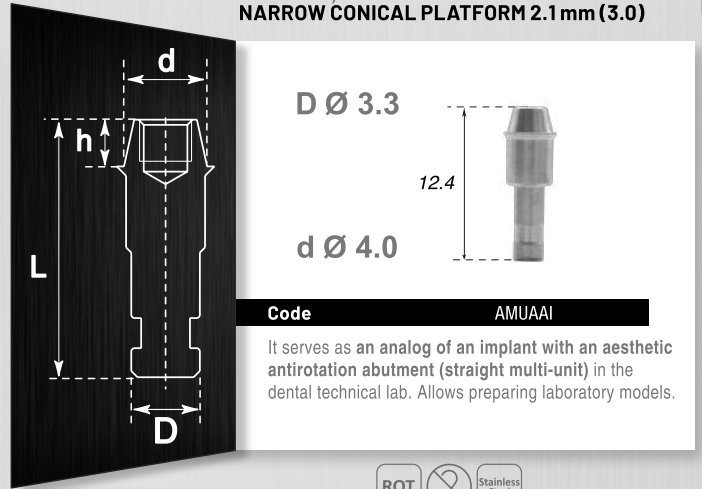


Code MUSEAIP3H1 MUSEAIP3H2 MUSEAIP3H3

Aesthetic abutment (straight multi-unit) with a plastic sleeve is used in order to restore a single structure or a bridge with a screw retention. Screw in with a maximum force of 35 N.



**ANALOG OF AN IMPLANT WITH AN AESTHETIC  
ANTIROTATION ABUTMENT (STRAIGHT  
MULTI-UNIT)  
NARROW CONICAL PLATFORM 2.1 mm (3.0)**



D Ø 3.3

12.4

d Ø 4.0

Code AMUAAI

It serves as an analog of an implant with an aesthetic antirotation abutment (straight multi-unit) in the dental technical lab. Allows preparing laboratory models.



**DIGITAL ANALOG FOR  
STRAIGHT MULTI-UNIT**

NARROW CONICAL PLATFORM 2.1 mm (3.0)

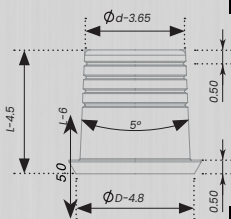


Code DAMUA



**TI BASE MU ZAHNTIUM**

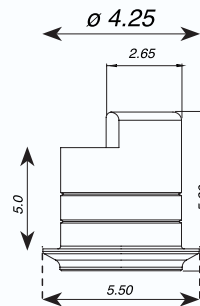
NARROW CONICAL PLATFORM 2.1 mm (3.0)



Code TBMU



**TITANIUM PLATFORM FOR CAD/CAM MU  
NARROW CONICAL PLATFORM 2.1 mm (3.0)**

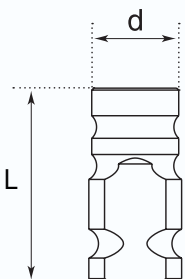


Code TBCMUI



**TRANSFER FOR ANGULAR AND  
STRAIGHT MULTI-UNIT**

NARROW CONICAL PLATFORM 2.1 mm (3.0)



Ø 4.5

10



Code TMUA

Retaining 



PEEK HEALING CAP,  
NARROW CONICAL PLATFORM 2.1 mm (3.0)

$\text{Ø } 4.2$  8.95

**Code** HCPAIP3

PEEK Healing cap provides perfect aesthetics of a gingival margin. It is made of high-quality biologically compatible thermoplastic, which is used for production of medical instruments. PEEK is a perfect material for using in medicine, particularly in dentistry.

ROT PEEK

HEALING CAP FOR STRAIGHT  
ANGULAR MULTI-UNIT

NARROW CONICAL PLATFORM 2.1 mm (3.0)



**Code** HCMUAAI 17/30

Titanium healing cap for multi-unit is intended to form gingival line and gingival papilla



HEALING CAP FOR STRAIGHT  
ANGULAR MULTI-UNIT

NARROW CONICAL PLATFORM 2.1 mm (3.0)



**Code** HCWMUMUAAI 17/30

Titanium healing cap for multi-unit is intended to form gingival line and gingival papilla



PLASTIC SLEEVE

NARROW CONICAL PLATFORM 2.1 mm (3.0)



**Code** PCMU



TEMPORARY PEEK SLEEVE

NARROW CONICAL PLATFORM 2.1 mm (3.0)



**Code** PETM



TITANIUM SLEEVE

NARROW CONICAL PLATFORM 2.1 mm (3.0)



**Code** TCAMU



SCAN ABUTMENT FOR MU

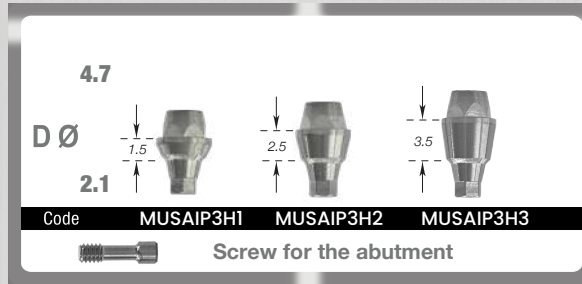
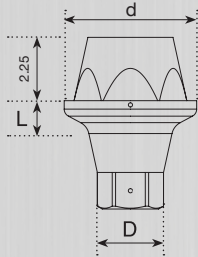
NARROW CONICAL PLATFORM 2.1 mm (3.0)



**Code** SCMU



**AESTHETIC ANTIROTATIONAL ABUTMENT (STRAIGHT MULTI-UNIT)  
NARROW CONICAL PLATFORM 2.1 mm (3.0)**



**TEMPORARY PEEK SLEEVE ZAHNTIUM  
NARROW CONICAL PLATFORM  
2.1 mm (3.0)**



**PLASTIC FOR MULTI UNIT HEX ABUTMENT  
ZAHNTIUM  
NARROW CONICAL PLATFORM  
2.1 mm (3.0)**



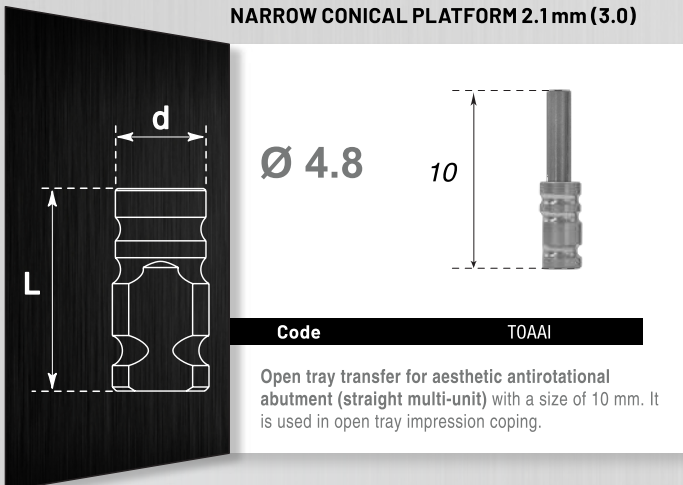
**TITANIUM CYLINDER FOR ANGLED  
MULTI UNIT ABUTMENT ZAHNTIUM  
NARROW CONICAL PLATFORM  
2.1 mm (3.0)**



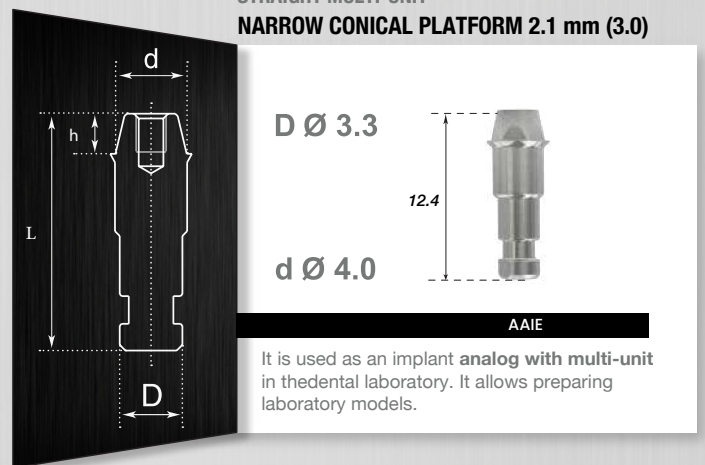
**HEALING CAP MULTI UNIT STRAIGHT  
ZAHNTIUM  
NARROW CONICAL PLATFORM  
2.1 mm (3.0)**



**OPEN TRAY TRANSFER FOR AESTHETIC  
ANTIROTATIONAL ABUTMENT  
(STRAIGHT MULTI-UNIT)  
NARROW CONICAL PLATFORM 2.1 mm (3.0)**



**ANALOG FOR ANGULAR 17°/30°/45° AND  
STRAIGHT MULTI-UNIT  
NARROW CONICAL PLATFORM 2.1 mm (3.0)**



# SURGICAL KIT



# DRILL

Diamond like coated drills

## Cylindrical



## Tapered finishing



## COUNTERSINKS



Drill extension



Torque ratchet



## STOPPERS

for 2.8 drills and 2.0

6 mm | 8 mm | 10 mm | 11.5 mm | 13 mm



for TCA 3.0, 3.45, 3.9, 4.7, 5.7 drills

6 mm | 8 mm | 10 mm | 11.5 mm | 13 mm



## IMPLANT DRIVERS



Universal wrench for abutment screw



Direction indicator – depth gauge

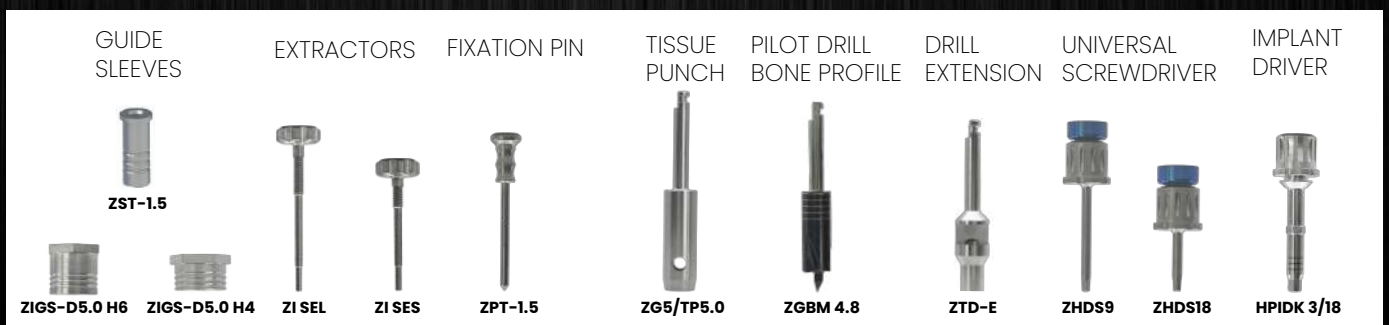


# SURGICAL KIT



# DRILL

Diamond like coated drills



# IMPLANT GUIDES FOR SYSTEMS

Straumann | Neodent | Nobel | Megagen | NeoBiotech | Osstem | DIO | Bauer's

Suitable for most of the most popular implant systems

Different types of offset: +, +2, +4, +6



## System compatibility table

N/cm <sup>2</sup>	Product name	Possible length	Compatibility with systems
50 N	Mounter Platform Type I	+ +2 +4 +6	Megagen AnyOne, NeoBiotech, Osstem (4.0+), DIO (4.0+), Bauer's
50 N	Mounter Platform Type II	+ +2 +4 +6	Megagen AnyRidge
40 N	Mounter Platform Type III	+ +2 +4 +6	Nobel CC NP
50 N	Mounter Platform Type IV	+ +2 +4 +6	Nobel CC RP
40 N	Mounter Platform Type V	+ +2 +4 +6	Straumann BLT NC
50 N	Mounter Platform Type VI	+ +2 +4 +6	Straumann BLT RC
40 N	Mounter Platform Type VII	+ +2 +4 +6	Megagen Mini
50 N	Mounter Platform Type VIII	+ +2 +4 +6	Neodent
40 N	Mounter Platform Type IX	+ +2 +4 +6	Nobel Replace NP
50 N	Mounter Platform Type X	+ +2 +4 +6	Straumann BLX



# ZAHNTIUM

Conical Connection Implant



World wide Distributor

**MODERN  
MEDICAL  
EQUIPMENT**

**Modern Medical Equipment L.L.C**

Tel: +971 4 236 6604

AL Khaleej Road, Dnaat Khaleej Bldg.

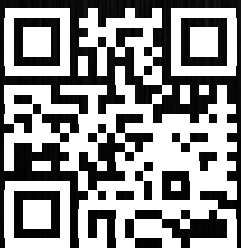
Shop # 15, P.O. Box: 251395 Dubai, UAE

dubai@mmeco.ae

www.mmeco.ae



Manufacturer By  
Alpha Dent Implants GmbH  
Pforzheim  
Hanauer Str. 8, 75181  
Germany



Visit our website

[www.zahntiumimplant.com](http://www.zahntiumimplant.com)

[info@zahntiumimplant.com](mailto:info@zahntiumimplant.com)

**CE**  
**1023**

**FDA**